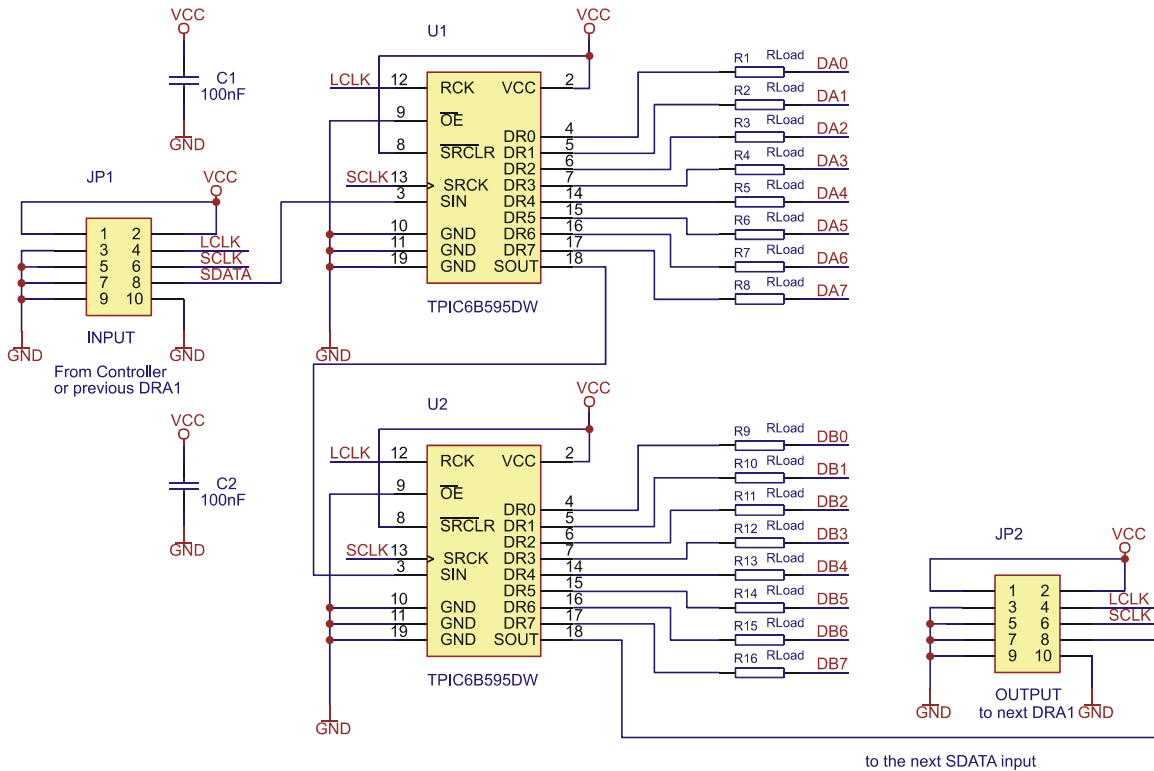


In Schematic below is shown two serially connected power logic 8-bit shift registers TPIC6B595 manufactured from Texas Instruments. They provide current of up to 150 mA to each cathode. Using TPIC6B595 extremely simplifies PCB board design and routing. For more detailed Information about power shift registers, refer to manufacturers data sheets.



If you have any questions or find some errors or misunderstandings in this documentation, do not hesitate to contact us on the next E-mails: [support@itsdisplays.com](mailto:support@itsdisplays.com) or [its@itsdisplays.com](mailto:its@itsdisplays.com), and we try to answer you as soon as possible. Refer to <http://www.itsdisplays.com/> site to download Schematics and PCB source files.