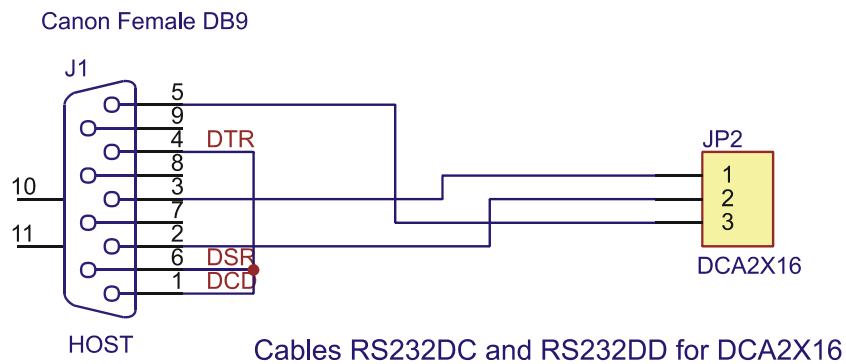


In Schematic below is shown serial channel cable wiring for DCA2X16 LED display controller. Cable can be longer up to 30 meters. Short connection between DTR, DSR and DCD is not always necessary but some versions of RS232C will require these ties.



If you have any questions or find some errors or misunderstandings in this documentation, do not hesitate to contact us on the next E-mails: support@itsdisplays.com or its@itsdisplays.com , and we try to answer you as soon as possible. Refer to <http://www.itsdisplays.com/> site to download Schematics and PCB source files.