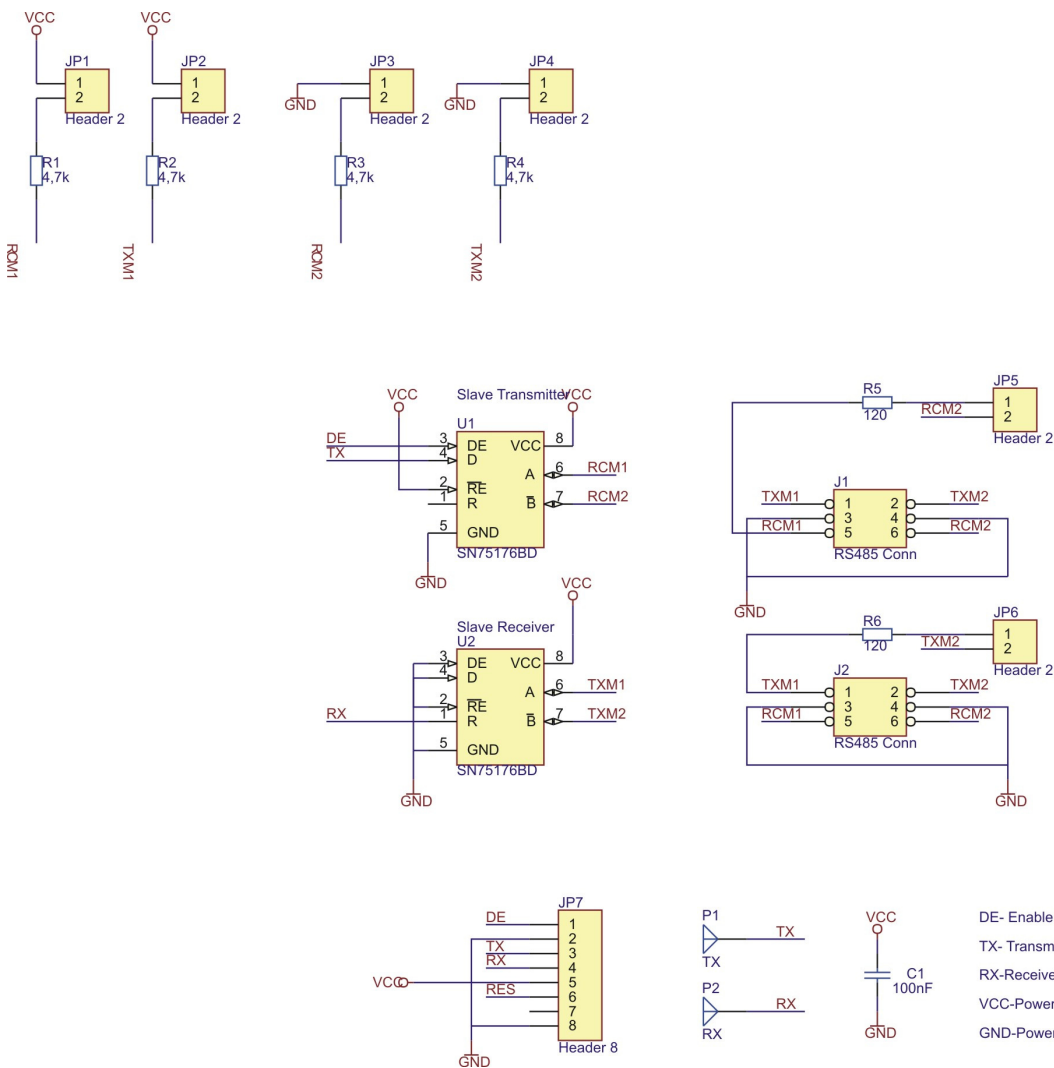


In Schematic below is shown CB485 four wire interface board for MCA2X16 LED display controller. Cable can be longer up to 1000 meters. For short cable length terminator jumpers can be opened. Used cable is 6 wire telephone cables, crimped straight. J2 is added for interconnection convenience between boards.

Warning: Do not switch all jumpers in all CB485. This act will extremely increase power consumption and will overload RS485 buffers.



If you have any questions or find some errors or misunderstandings in this documentation, do not hesitate to contact us on the next E-mails: support@itstdisplays.com or its@itstdisplays.com, and we try to answer you as soon as possible. Refer to <http://www.itstdisplays.com/> site to download Schematics and PCB source files.